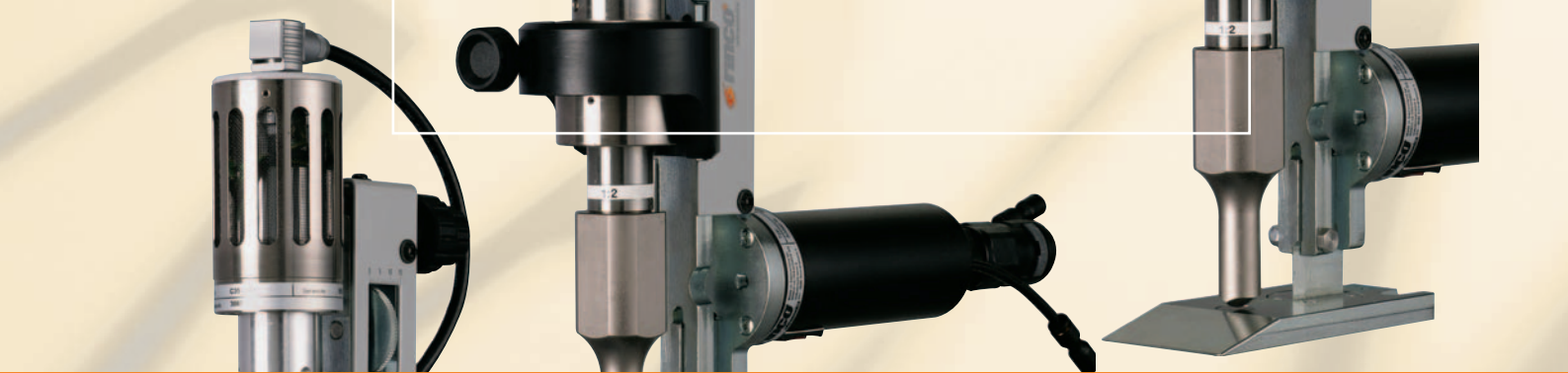




The Cutting Ones



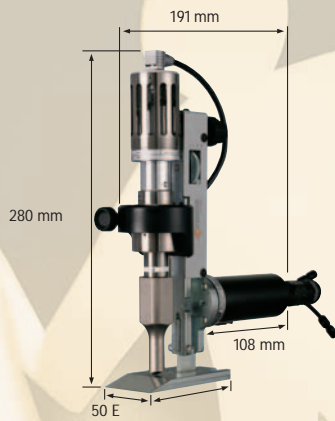
HC

35-3

Ultrasonic hand cutting unit 35 kHz

The ultrasonic hand cutting unit HC35-3 is suitable for manual cutting operations.





- Suitable for textiles and fabrics with minimum of 50% synthetic fibre content
- Simultaneous cutting and welding along the cutting line
- Configurable with SL and PCS Generators
- Ideal for straight cuts as well as for contours

Specification HC 35-3

Operating frequency:	35 kHz
Switches:	On the hand grip
Weight:	1.6 kg including converter 1.8 kg including converter and booster
Horns:	Various cutting and template horns can be used
Cutting power:	Pretensioning force infinitely variable
Amplitude Amplification:	Directly through converter With booster 1:1.5/1:2 using an unamplified converter Changeable using an SL generator
Cable set:	3 m standard Special lengths 7 m/11 m/15 m on request
Generator:	Suitable types: RL35 -250/400/600 W, SL35 - 400/600 W
Options:	Air cooling retrofit

Additional technical information available on request.



TECHSPAN GROUP

Australia: Ph: 1-800 148 791 www.rincoultrasonics.com.au

New Zealand: Ph: ++64 9 827 6567 www.rincoultrasonics.co.nz